

BALTON®

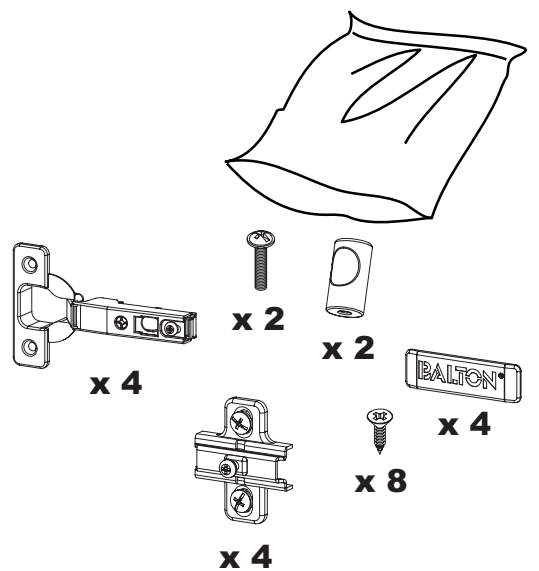
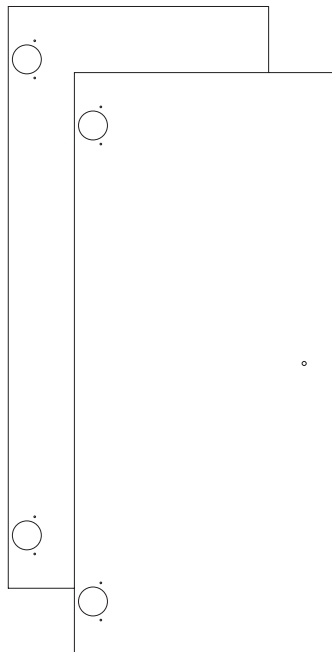
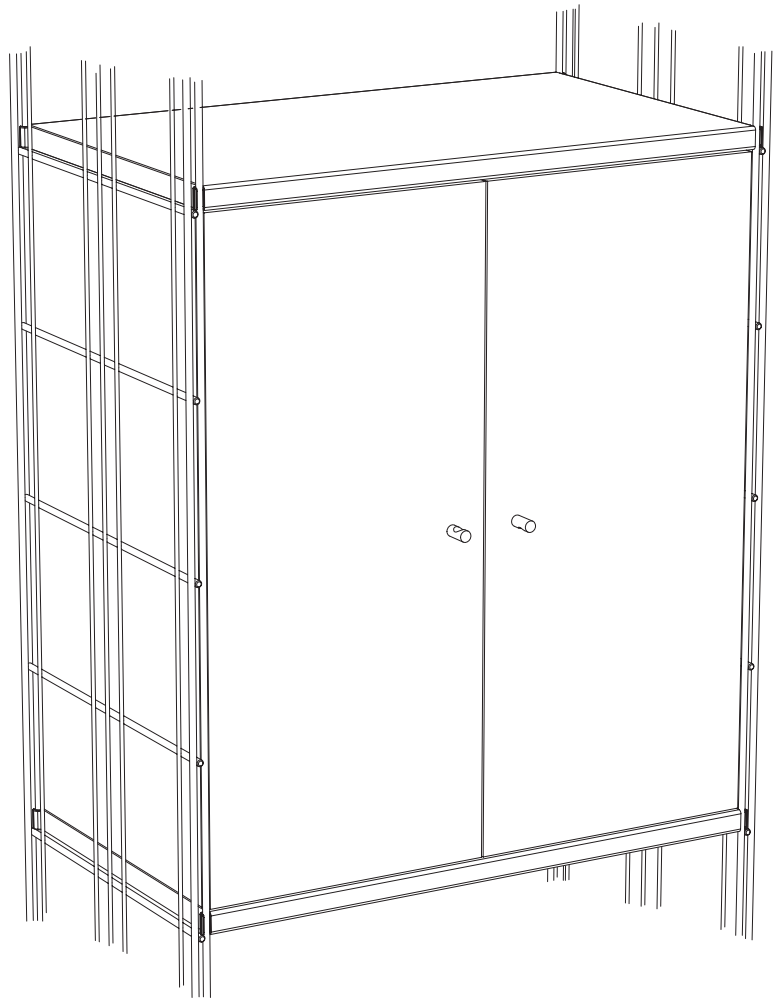
B III

161350

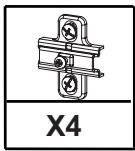
161358

161354

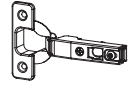


161352

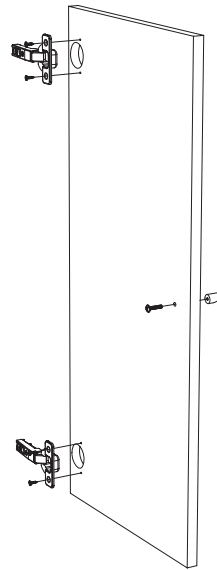
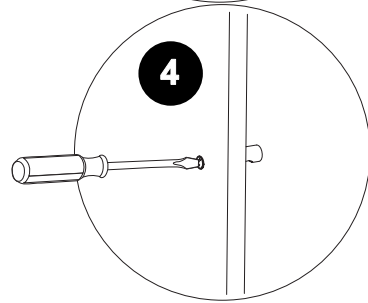
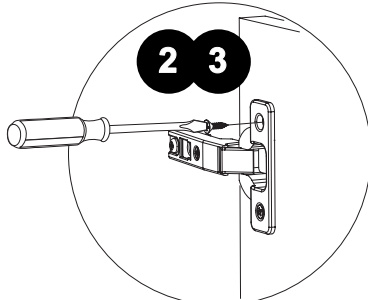
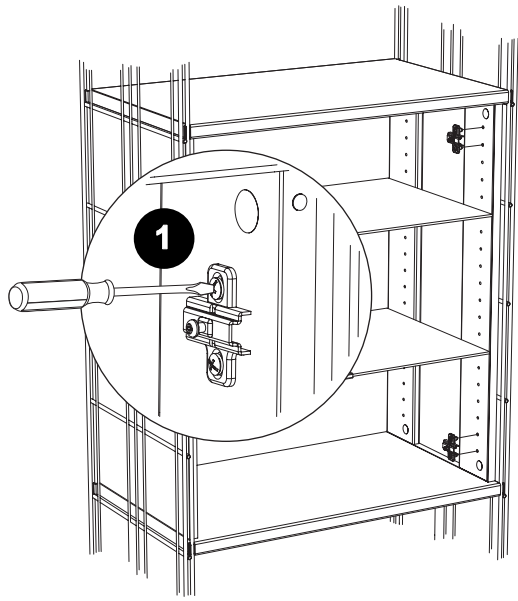


info@balton.se



X4

		
X4		
	X8	
		X2



BALTON[®]

info@balton.se

